



GE
Lighting

19

kWh/1000h

A

energy class

67

lumens/watt



Biax™ D/E LongLast™ 4-
pin, External Starter Req.

F18DBX/SPX27/827/4P

12865

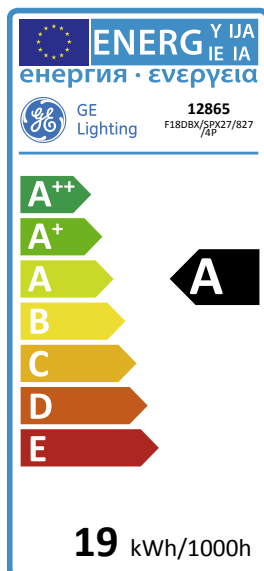
Product information

Biax™ D&D/E LongLast™ lamps are available in 10, 13, 18 and 26 watt ratings, 10 and 13W in T3 tube size, 18 and 26W in T4 tube size and ranging from 101mm to 174mm in length. Five colours are available in two-pin and four-pin caps. A high colour rendering index (CRI) of 82 gives rich, vibrant colour. The lamps are available in warm and cool colour temperatures suitable for a wide variety of environments.

Features

- Up to 80% energy saving versus normal incandescent lamps
- Lasts 10 times longer than standard incandescent lamps
- High colour rendering index – 82Ra
- Full range of colour temperatures—2700, 3000, 3500, 4000 and 6500K
- 4-pin lamps for use with electronic gear may be used with dimmers

Application areas



WORLDWIDE PARTNER

- Down lighting
- Corridorlighting
- Wall sconces in office buildings
- Hotels/motels
- Restaurants
- Retail

Application areas



Product data

Cap/Base	G24q-2
Bulb Shape	Quad plug-in
Bulb Diameter [mm]	65
Bulb maximum overall diameter [mm]	34.4
Maximum Overall Length [mm]	146.5
Net weight per piece [g]	59
Gross weight per piece [g]	83
Operating position	U - Universal
Mercury Content [mg]	3
UV radiance	exempt
Brand	General Electric (GE)

Performance data

Colour Code	827
Colour Rendering Index (CRI) [Ra]	82
Nominal correlated colour temperature (CCT) [K]	2700
Nominal lumens [lm]	1200
Energy efficiency class (EEC)	A
Rated Life [h]	12000
Rated median life on electronic (HF) ballast on IEC 12-hour cycle	20000
Rated median life on electronic (HF) ballast on IEC 3-hour cycle	17000
Weighted energy consumption [kWh/1000h]	18.15

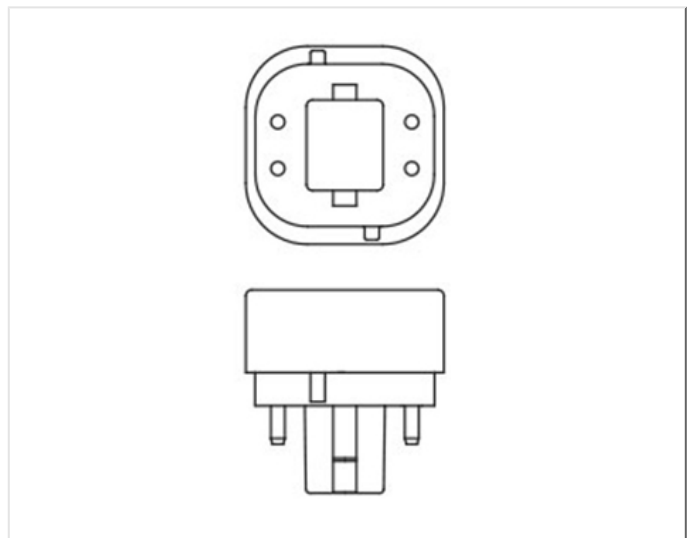
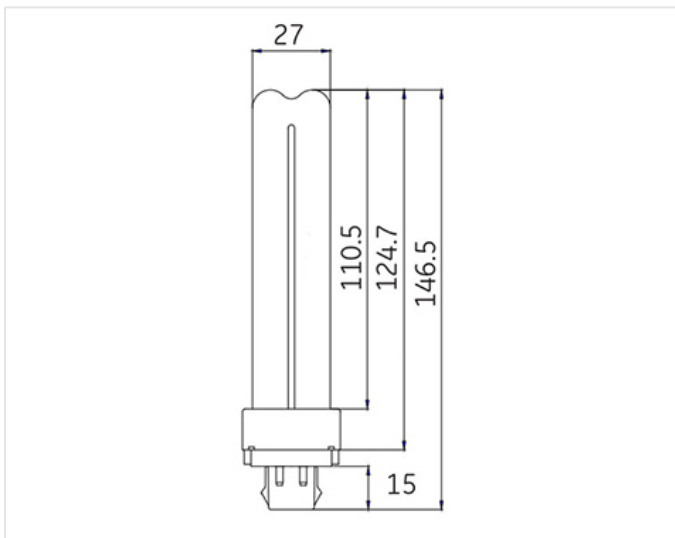
Electrical data

Nominal power [W]	18
Nominal lamp voltage [V]	100
Operating Temperature (MIN) [°C]	-15
Starting ambient temperature range	-15
Dimming Capability	Yes

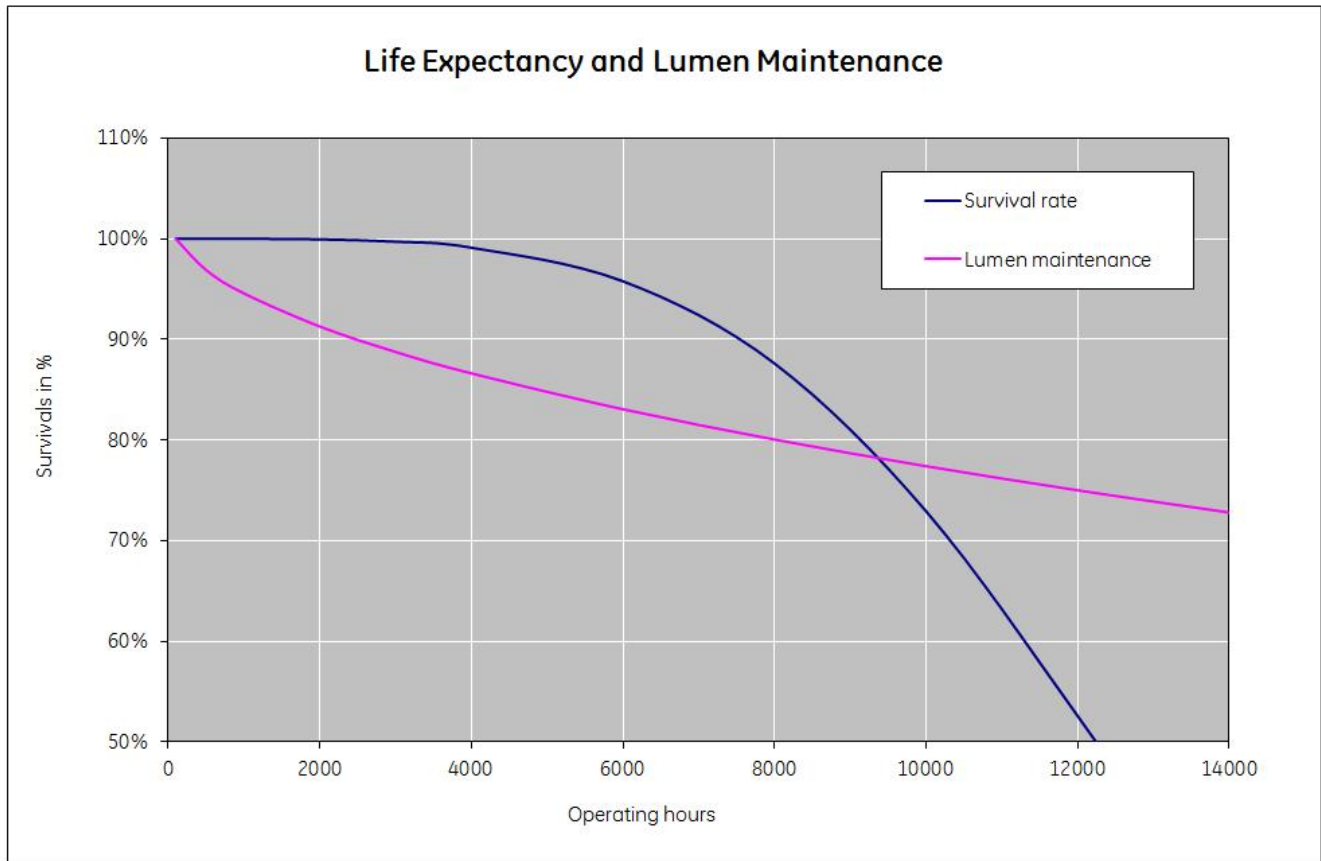
Logistic data

DUN Code	30043168128651
EAN Code	43168128650
Pack Quantity	10
Inner pack type	BOX
Layer quantity	600 EUR, 750 UK
Layer quantity EUR	600
Layer quantity UK	750
Pallet quantity EUR (PC)	3600
Pallet quantity UK (PC)	3750
Outer case size	191 x 82 x 172 (mm)

Technical drawing



Survival data



Downloads & Links

[Go to the catalog site \(HTTP\)](#)

[Product family datasheet \(PDF\)](#)

[CFL Non-Integrated Spectrum Catalogue \(PDF\)](#)

[LongLast™ Biax™ D and D/E Data sheet \(PDF\)](#)

[Lighting design tools & calculators \(HTTP\)](#)

[Disposing and Cleaning of CFL Lamps \(HTTP\)](#)

[High-res images / Technical drawings \(HTTP\)](#)

[Certificate for the Quality Management System of GE Lighting EMEA \(PDF\)](#)

[Certificate for the Environmental Management System of GE Lighting EMEA \(PDF\)](#)