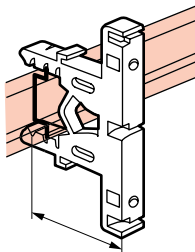
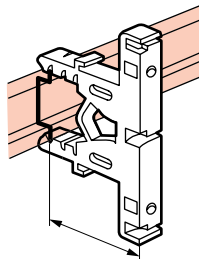


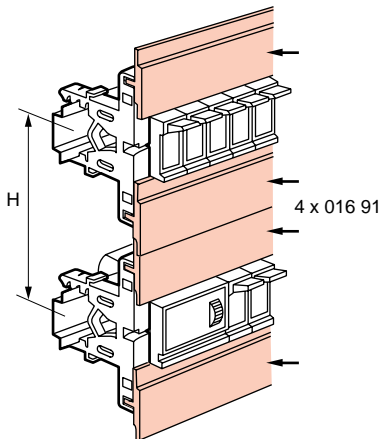
38 mm



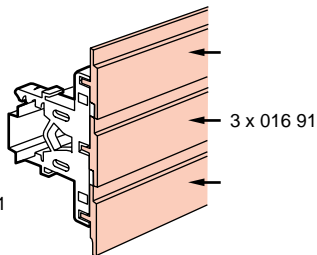
44,5 mm



53 mm



$127 \leq H \leq 136$ mm



3 x 016 91