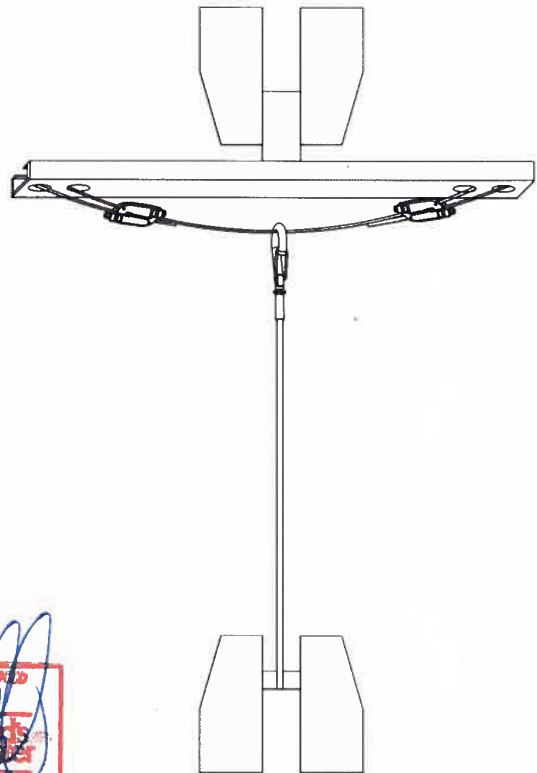


**Project:** 6 mm Catenary  
**Client:** Gripple Ltd  
**Client's Order No:** I4182  
**Inspection Date:**  
**First:** 15 / 04 / 2010

**Certificate No:** COV1019137  
**Office:** Sheffield  
**Date:** 15 / 04 / 2010  
**Order Status:** Complete  
**Final:** 14 / 07 / 2010

This certificate is issued to Gripple Ltd to certify that the undersigned surveyor did, at their request attend the premises at The Old West Gun Works, Sheffield on and between the above dates for the purpose of examining and witnessing tests on the items listed below. All tests produced satisfactory results

## TEST CONFIGURATION



14/7/10

M Cobb  
 Surveyor of Lloyd's Register

Gripple Model	Rope Construction	Horizontal Rated Load	Gripple Load Limit 5:1	Result
6 mm Catenary	7 x 19	0 - 100 kg 0 - 220 lbs	500 kg 1,100 lbs	728 kg * 1,601 lbs

\* Test ended due to equipment failure, not due to product failure